


ADJUSTABLE TOE JACK

TG30/TG80

Finish	Painted
Standards	EN 1494:2000+A1:2008
Directives	EC Machinery Directive: 2006/42/EC, Machinery (Safety) Regulations 2008
Markings / Certification	
Notes	

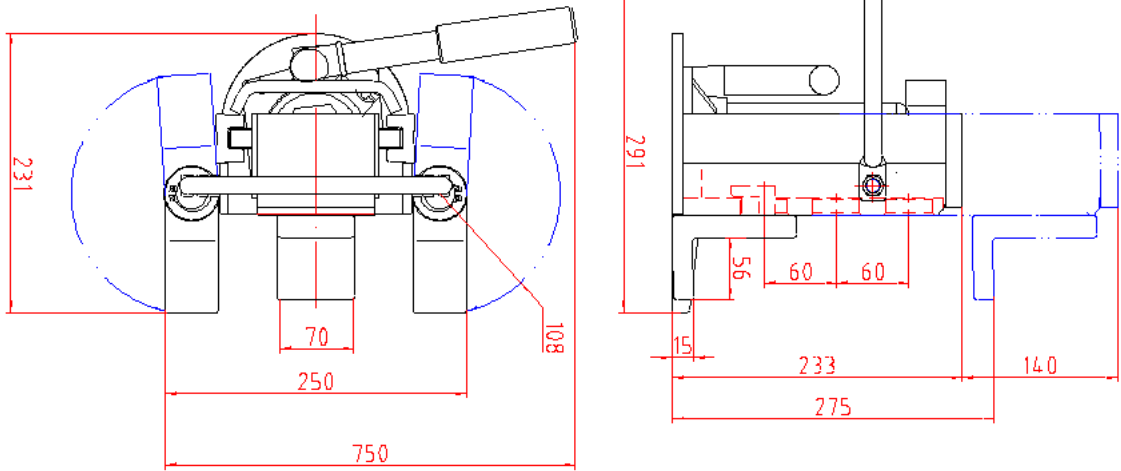


Model	Capacity	Lifting Stroke	Min. Toe Height	Lifting Range	Weight
403-10-1	3000kg	130mm	15mm	15-240mm	22kg
403-10-2	8000kg	140mm	25mm	25-295mm	28kg

LES ADJUSTABLE TOE JACK

TG30/TG80

TG30



TG80

