


FORKLIFT HOOK ATTACHMENT

MK10 / MK25 / MK50

| | |
|---------------------------------|---|
| Finish | Paint |
| Standards | ISO2415:2007, ISO1837:2013 |
| Directives | Machinery (Safety) Regulations 2008, EC Machinery Directive: 2006/42/EC |
| Markings / Certification |  |
| Notes | 2 x Fork Hook T Bar Fittings |

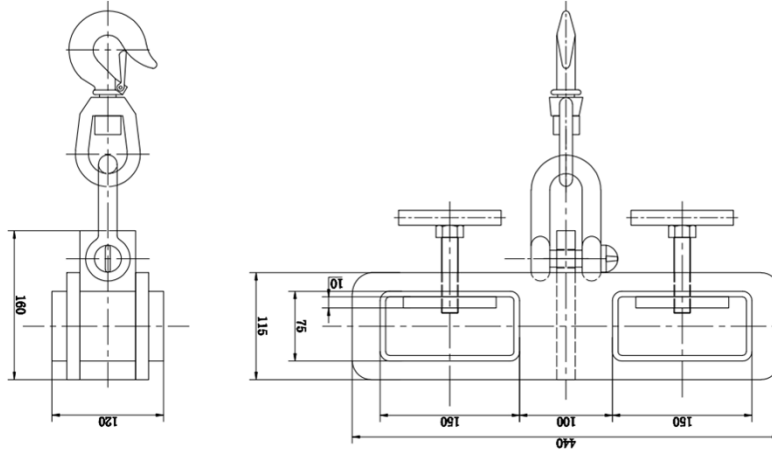


| Model | Capacity | Fork Pocket Centre Dimensions | Fork Pocket Size Dimensions | Internal Fork Pocket Dimensions | Weight |
|----------------|----------|-------------------------------|-----------------------------|---------------------------------|--------|
| 403-4-1 / MK10 | 1000kg | 250mm | 150 x 75mm | 140 x 55mm | 14kg |
| 403-4-2 / MK25 | 2500kg | 450mm | 160 x 80mm | 150 x 60mm | 25kg |
| 403-4-3 / MK50 | 5000kg | 450mm | 200 x 100mm | 180 x 78mm | 49kg |

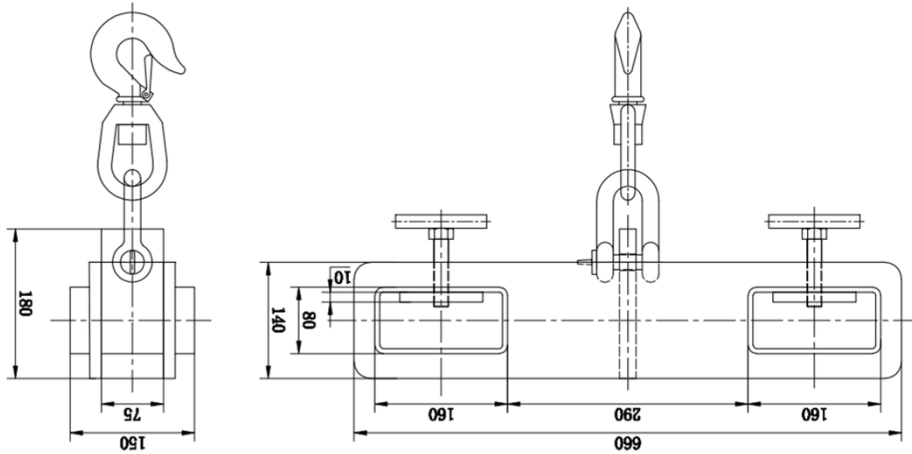
FORKLIFT HOOK ATTACHMENT

MK10 / MK25 / MK50

MK10



MK25



MK50

