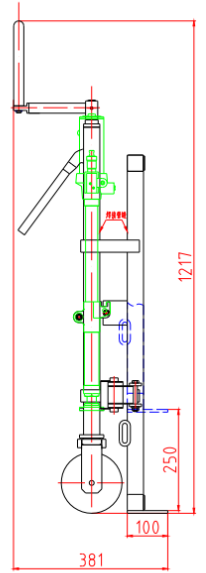
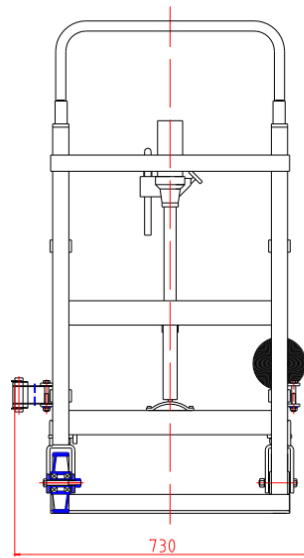


LARGE HYDRAULIC FURNITURE MOVER

FM180B (1800kg)

Finish	Blue Painted Finish
Standards	EN ISO 3691-5:2014/AC: 2014, EN 16307-5:2013
Directives	Machinery (Safety) Regulations 2008, EC Machinery Directive: 2006/42/EC
Markings / Certification	
Notes	2 x Built-In Ratchet Straps



Code	Capacity	Lifting Height	Lifting Plate (WxD)	Wheel Dia.	Overall Size	Weight
403-1-2	1800kg	250mm	600x60mm	150mm	680x420x1000mm	86kg