
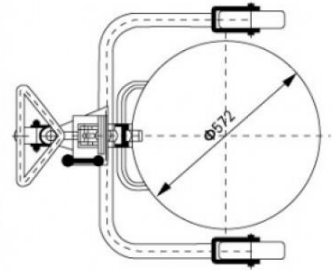
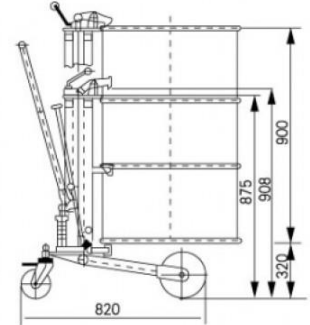
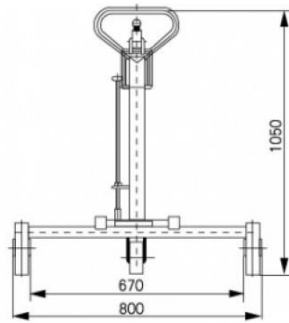


HYDRAULIC DRUM TRUCK TROLLEY

DTHR

Finish	Paint
Standards	EN ISO 12100:2010, EN ISO 13857:2008, EN953:1997+A1:2009, EN349:1993+A1:2008
Directives	Machinery (Safety) Regulations 2008, EC Machinery Directive: 2006/42/EC
Markings / Certification	
Notes	



Model	Capacity	Drum Size	Height	Width	Depth	Distance Between Legs	Max. Lift Height	Weight
403-7-1	250kg	210 Litres	1050mm	800mm	820mm	630mm	270mm	45kg